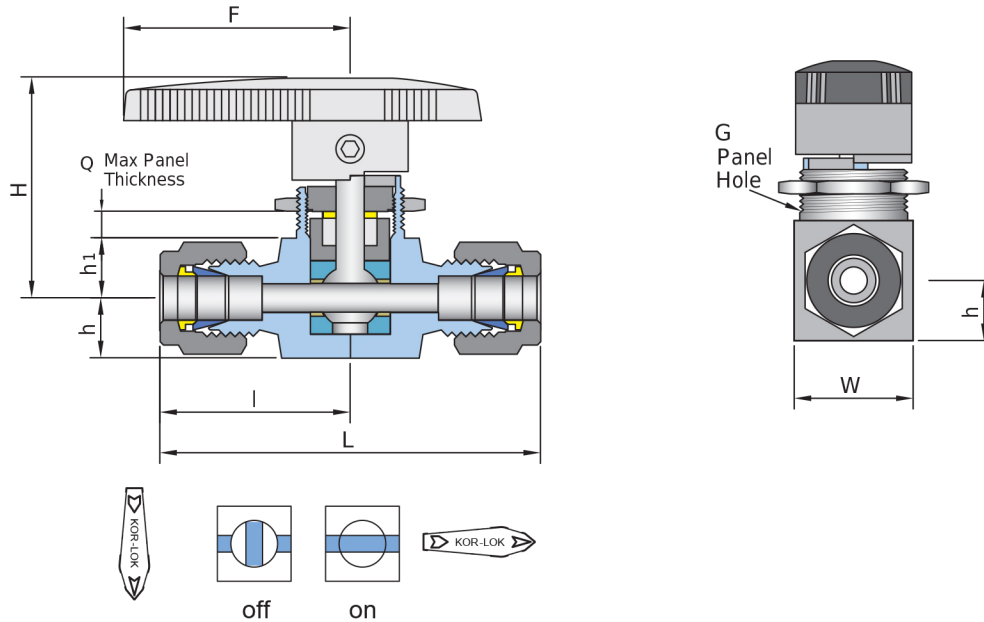


## VB3 series (2 Way, Shut-Off Both Kor-Lok Tube Fittings or Both Female Threads)



### Ordering Information & Dimensions

Part No.	End Connection		Orifice	CV	Dimensions (mm)								
	Inlet	Outlet			L	l	h	h <sub>1</sub>	H	G	Q	W	F
VB31	U-04T-	1/4" Kor-Lok	4.8	2.4	62.6	31.3	10.0	10.6	39.6	19.8	4.8	19.8	40.0
	U-06T-	3/8" Kor-Lok		1.5	66.6	33.3							
	U-M06T-	6mm Kor-Lok		2.4	62.6	31.3							
	U-M08T-	8mm Kor-Lok		1.5	63.2	31.6							
	F-02N-	1/8" Female NPT		1.2	50.8	25.4							
	F-04N-	1/4" Female NPT		0.9	52.4	26.2							
VB32	U-06T-	3/8" Kor-Lok	7.1	6.0	77.8	38.9	14.3	14.5	52.8	28.0	9.0	28.6	51.0
	U-M10T-	10mm Kor-Lok		6.0	77.8	38.9							
	F-04N-	1/4" Female NPT		3.0	63.6	31.8							
	F-06N-	3/8" Female NPT		2.6	63.6	31.8							
VB33	U-08T-	1/2" Kor-Lok	10.3	12.0	98.6	49.3	18.0	17.5	61.9	38.1	9.4	38.1	76.2
	U-12T-	3/4" Kor-Lok		6.4	99.2	49.6							
	U-M12T-	12mm Kor-Lok		12.0	98.8	49.4							
	U-M20T-	20mm Kor-Lok		6.4	100.0	50.0							
	F-08N-	1/2" Female NPT		6.3	80.0	40.0							

Female ISO7/1 Tapered Threads (PT) are available for all fractional sizes of VB3F series valves.  
Add "R" as a suffix instead of "N".

Dimensions are for reference only and are subject to change without prior notice.